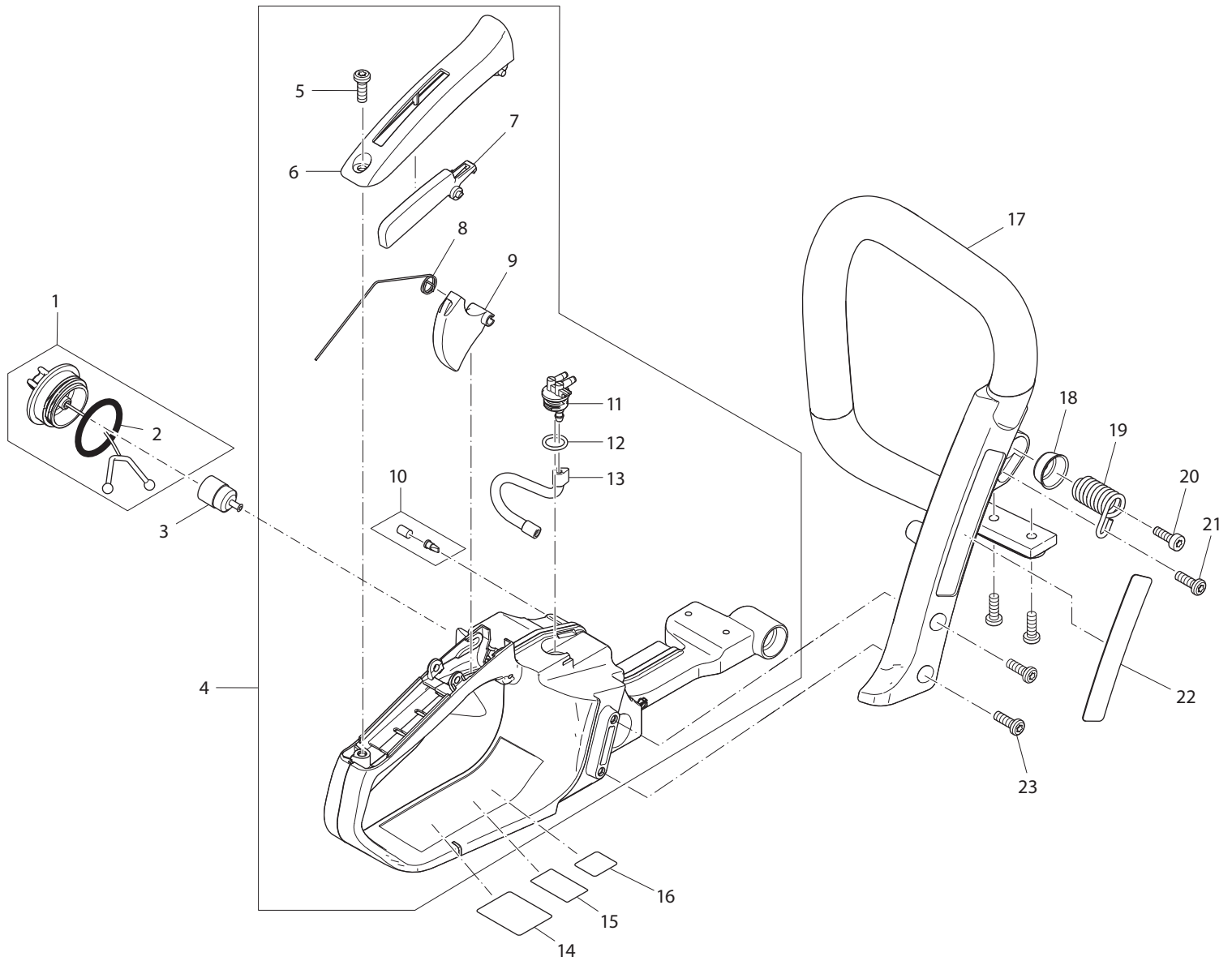
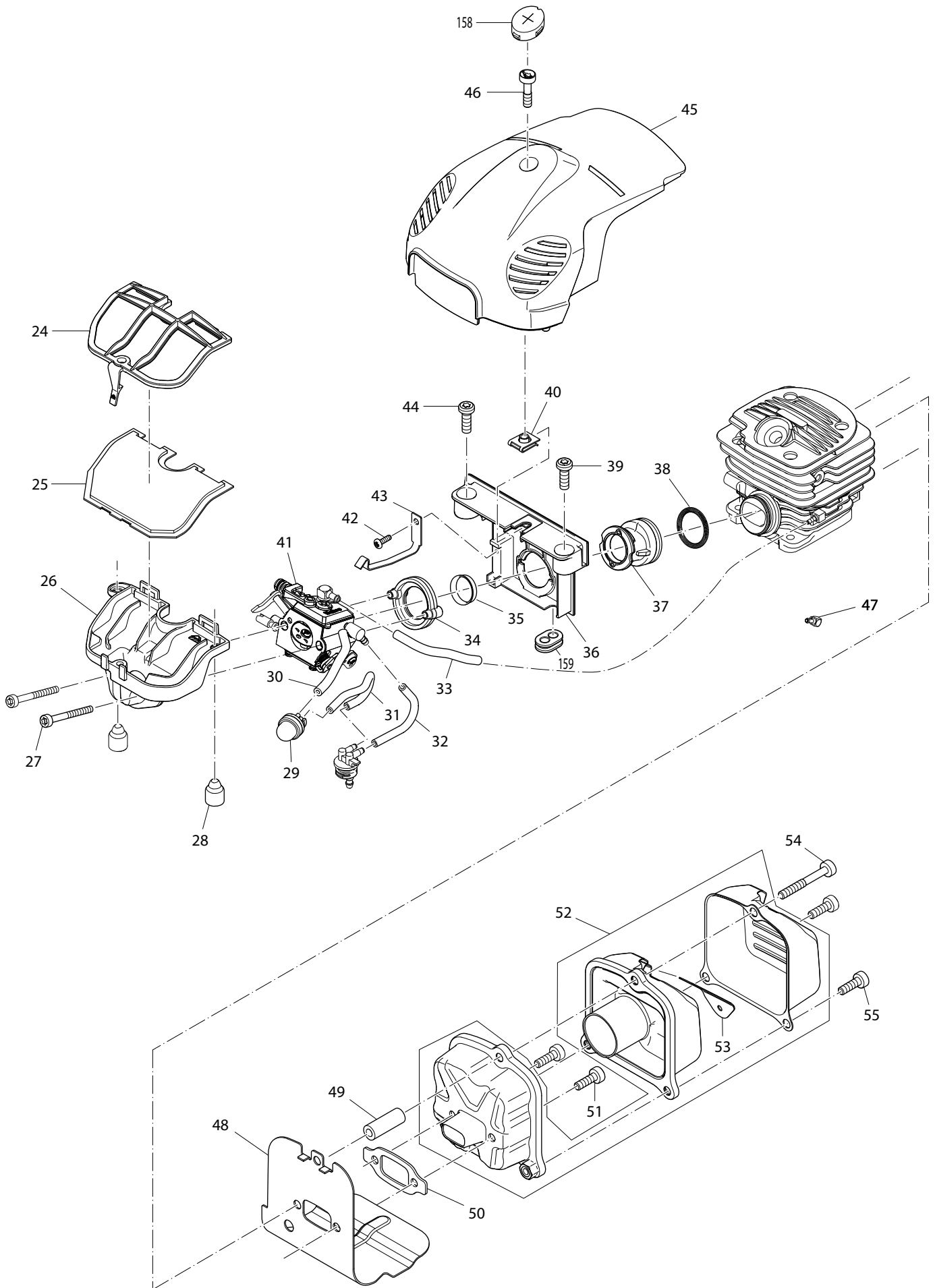
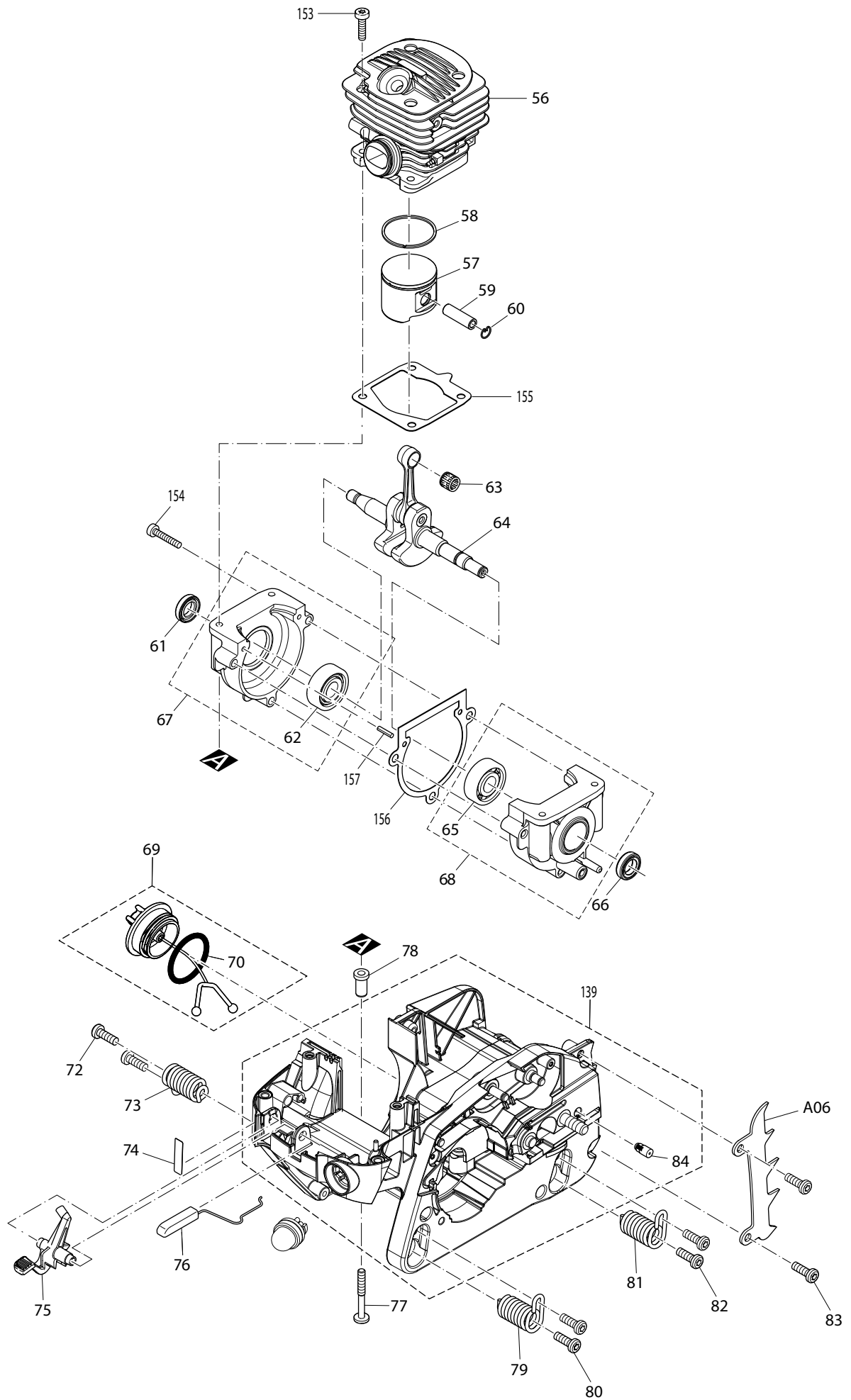


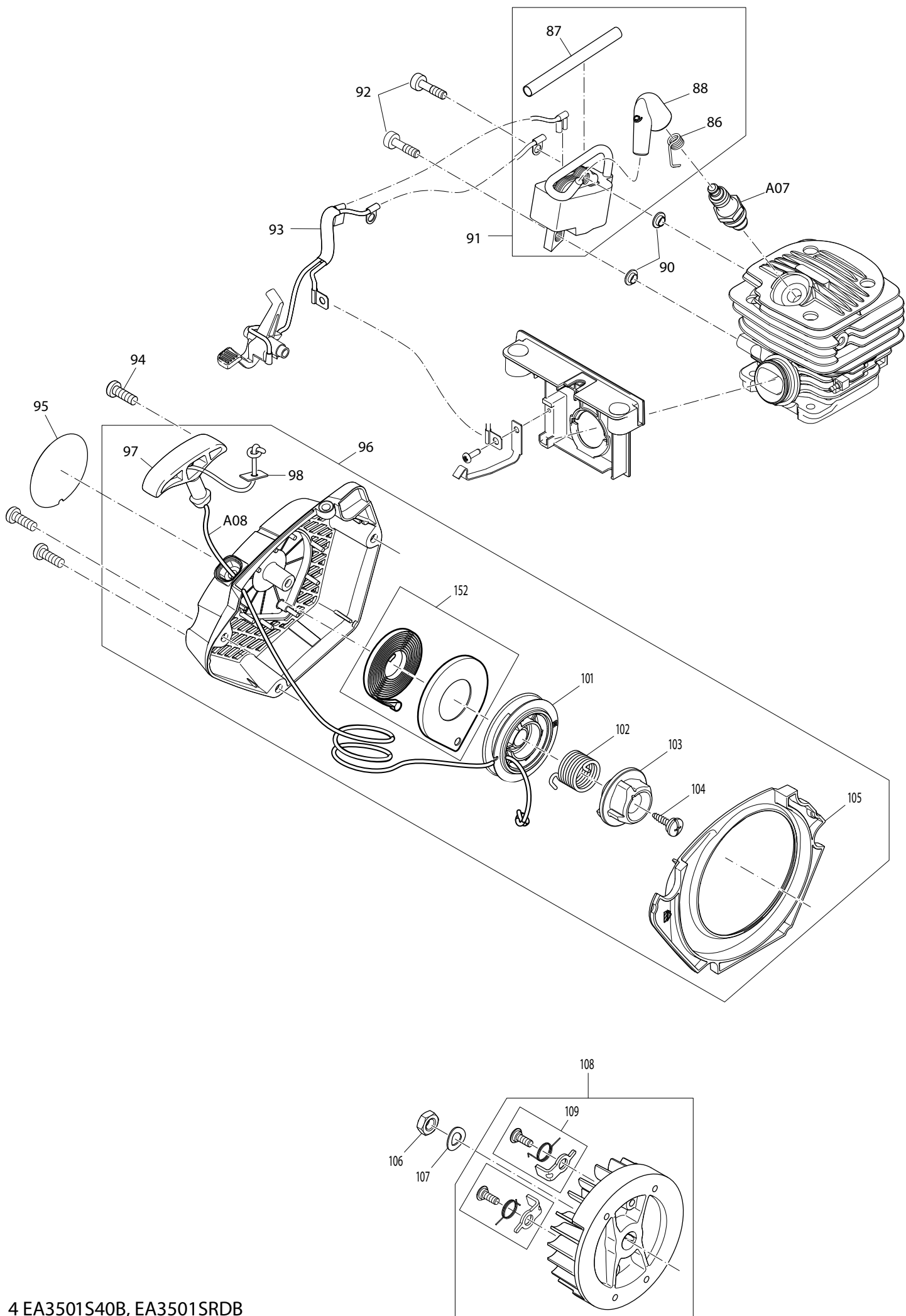


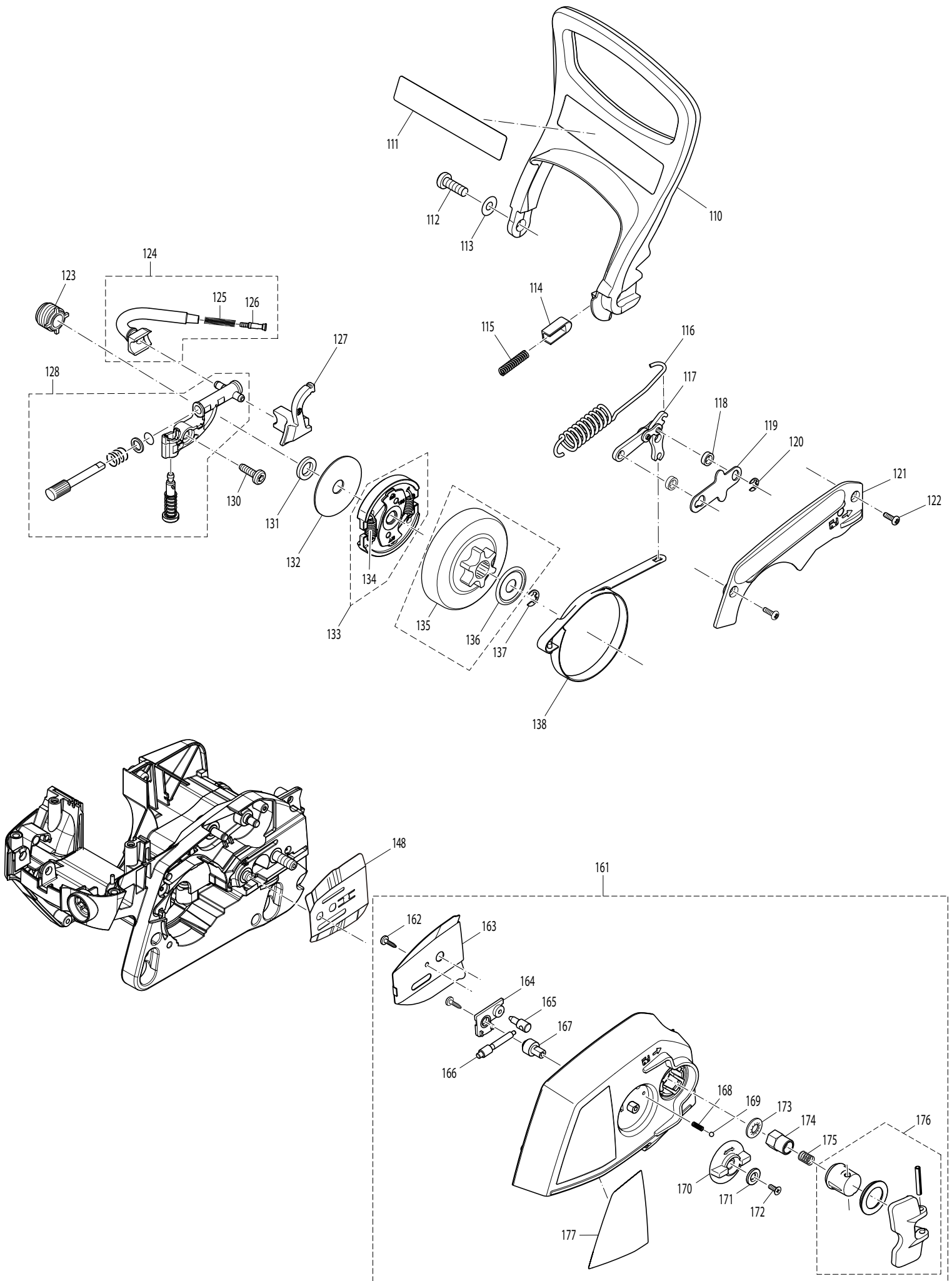
09 - 2016
EA3501S40B / EA3501SRDB
35CC CHAINSAW 16" 3/8" 50G











5 EA3501S40B, EA3501SRDB

Item No	Type	Sub	Parts No.	Description	Qty	Unit
001			168823-3	TANK CAP COMPLETE	1	PC.
		INC.		Item No. 2		
002			213080-9	O RING 29.5	1	PC.
003	2		163447-0	FUEL FILTER COM.	1	PC.
004B			195757-7	TANK ASSEMBLY A ORANGE	1	PC.
		INC.		Item No. 5-13		
005			266651-1	TORX (HEXLOBULAR) TAPPING SCREW 5.5X16	1	PC.
006			452021-2	GRIP SHELL	1	PC.
007			452020-4	CATCH LEVER	1	PC.
008			231866-9	TORSION SPRING 10	1	PC.
009			452019-9	THROTTLE LEVER	1	PC.
010			195762-4	AIR VALVE SET	1	PC.
011			452018-1	FUEL NIPPLE	1	PC.
012			213586-7	O RING 11.5	1	PC.
013			424456-7	FUEL LINE	1	PC.
014			850C76-3	NAME PLATE F/EA3501S	1	PC.
015			804V52-3	GAS EMISSION APPROVAL LABEL	1	PC.
016			806U13-3	CAUTION LABEL	1	PC.
017			452036-9	TUBULAR HANDLE	1	PC.
018			346517-2	CUP WASHER 6	1	PC.
019			234189-4	COMPRESSION SPRING 12	1	PC.
020			266605-8	TORX (HEXLOBULAR) SOCKET HEAD BOLT M5X16	1	PC.
021			266651-1	TORX (HEXLOBULAR) TAPPING SCREW 5.5X16	1	PC.
022			891898-4	MAKITA LOGO LABEL	1	PC.
023			266651-1	TORX (HEXLOBULAR) TAPPING SCREW 5.5X16	4	PC.
024			452031-9	AIR FILTER COVER	1	PC.
025			423414-0	AIR FILTER	1	PC.
026			452030-1	INTAKE MANIFOLD	1	PC.
027			266604-0	TORX (HEXLOBULAR) SOCKET HEAD BOLT M4X40	2	PC.
028			424173-9	DAMPING PLUG	2	PC.
029			168398-2	PRIMER PUMP	1	PC.
030			422067-2	TUBE 2.5-55	1	PC.
031			422065-6	TUBE 2.5-112	1	PC.
032			422068-0	TUBE 3-70	1	PC.
033			422066-4	TUBE 2.5-72	1	PC.
034			318634-8	FLANGE RING	1	PC.
035			346413-4	BUSH 17	1	PC.
036	1		125 131 052	INTERMEDIATE FLANGE	1	PC.
	2		454874-5	INTERMEDIATE FLANGE	1	PC.
037			424617-9	INTAKE HOSE	1	PC.
038			233971-8	RING SPRING	1	PC.
039			266651-1	TORX (HEXLOBULAR) TAPPING SCREW 5.5X16	1	PC.
040			264044-6	SNAP NUT M5	1	PC.
041			168829-1	CARBURETOR	1	PC.
		INC.	ZJ00000077	NOZZLE ASSEMBLY	1	PC.
		INC.	ZJ00000003	STRAINER	1	PC.
		INC.	ZJ00000008	PIN	1	PC.
		INC.	ZJ00000078	SPRING, METERING LEVER	1	PC.
		INC.	ZJ00000006	LEVER	1	PC.
		INC.	ZJ00000007	VALVE, INLET NEEDLE	1	PC.
		INC.	ZJ00000009	SCREW, METERING LEVER PIN	1	PC.
		INC.	ZJ00000079	METERING CHAMBER GASKET	1	PC.
		INC.	ZJ00000013	DIAPHRAGM ASSEMBLY, METERING	1	PC.
		INC.	ZJ00000029	DIAPHRAGM PUMP	1	PC.
		INC.	ZJ00000016	GASKET, PUMP	1	PC.
		INC.	ZJ00000004	COVER KIT, PUMP	1	PC.
		INC.	ZJ00000020	SCREW, PUMP COVER	1	PC.
		INC.	ZJ00000026	SCREW, IDLE MIXTURE	1	PC.
		INC.	ZJ00000027	SCREW, MAIN MIXTURE	1	PC.
		INC.	ZJ00000035	RETAINER	2	PC.

Item No	Type	Sub	Parts No.	Description	Qty	Unit
		INC.	ZJ00000037	STRAINER	1	PC.
		INC.	ZJ00000073	SPRING	1	PC.
		INC.	ZJ00000015	SHAFT ASSEMBLY, CHOKE	1	PC.
		INC.	ZJ00000012	CHOKE SHAFT ASSY	1	PC.
		INC.	ZJ00000080	THROTTLE VALVE	1	PC.
		INC.	ZJ00000001	SCREW F/CARBURETOR	2	PC.
		INC.	ZJ00000036	PLUG, ACC POCKET	1	PC.
		INC.	ZJ00000034	SPRING, THROTTLE RETURN	1	PC.
		INC.	ZJ00000022	LEVER, THROTTLE	1	PC.
		INC.	ZJ00000023	SCREW F/CARBURETOR	2	PC.
		INC.	ZJ00000021	COLLAR	1	PC.
		INC.	ZJ00000028	COVER, METERING	1	PC.
		INC.	ZJ00000014	SCREW WITH SERRATION	2	PC.
		INC.	ZJ00000033	WASHER	1	PC.
		INC.	ZJ00000031	CHOKE LEVER	1	PC.
		INC.	ZJ00000025	CHOKE LEVER	1	PC.
		INC.	ZJ00000040	SPRING, RETURN	1	PC.
		INC.	ZJ00000017	E RING	1	PC.
		INC.	ZJ00000024	CHOKE VALVE	1	PC.
		INC.	ZJ00000005	PLUNGER KIT	1	PC.
		INC.	ZJ00000032	SPRING, CHOKE RETURN	1	PC.
		INC.	ZJ00000081	REBUILT KIT	1	PC.
		INC.	ZJ00000082	GASKET&DIAPHRAGM KIT	1	PC.
042			266421-8	TAPPING SCREW 3X10	1	PC.
043			346290-4	CONTACT SPRING	1	PC.
044			266651-1	TORX (HEXLOBULAR) TAPPING SCREW 5.5X16	1	PC.
045			454875-3	HOOD	1	PC.
046			266607-4	TORX (HEXLOBULAR) SOCKET HEAD BOLT M5X20	1	PC.
048			346764-5	COOLING PLATE	1	PC.
049			326390-6	CONNECTING LINK	1	PC.
050			346304-9	GASKET	1	PC.
051			266605-8	TORX (HEXLOBULAR) SOCKET HEAD BOLT M5X16	2	PC.
052			168830-6	MUFFLER COMPLETE	1	PC.
		INC.		Item No. 53		
053			346823-5	SPARK ARRESTER	1	PC.
054			266480-2	HEXLOBULAR SOCKET HEAD BOLT	1	PC.
055			266605-8	TORX (HEXLOBULAR) SOCKET HEAD BOLT M5X16	2	PC.
056			143323-4	CYLINDER COMPLETE	1	PC.
057	2		197479-5	PISTON SET	1	PC.
		INC.	319108-2	PISTON 38	1	PC.
		INC.		Item No. 58 - 60	1	PC.
058			257366-1	PISTON RING 38	1	PC.
059			326395-6	PISTON PIN	1	PC.
060			234323-6	RING SPRING 9	2	PC.
061			213141-5	OIL SEAL 12	1	PC.
062	2		211341-1	BALL BEARING 6201	1	PC.
063			212093-7	NEEDLE CAGE 912	1	PC.
064	2		127075-5	CRANKCASE ASSEMBLY	1	PC.
		INC.	142417-2	CRANKSHAFT COMPLETE	1	PC.
		INC.		Item No. 61,66-68,154,156,157		
065	2		211341-1	BALL BEARING 6201	1	PC.
066			213141-5	OIL SEAL 12	1	PC.
067	2		144357-0	CRANKCASE ASSEMBLY MAGNETO SIDE	1	PC.
		INC.		Item No. 62		
068	2		144356-2	CRANKCASE ASSEMBLY CLUTCH SIDE	1	PC.
		INC.		Item No. 65		
069			168823-3	TANK CAP COMPLETE	1	PC.
		INC.		Item No. 70		
070			213080-9	O RING 29.5	1	PC.

Item No	Type	Sub	Parts No.	Description	Qty	Unit
072			266651-1	TORX (HEXLOBULAR) TAPPING SCREW 5.5X16	2	PC.
073			234189-4	COMPRESSION SPRING 12	1	PC.
074			816917-5	INDICATION LABEL	1	PC.
075			452025-4	CHOKE LEVER	1	PC.
076			452022-0	THROTTLE LINKAGE	1	PC.
077			266608-2	TORX (HEXLOBULAR) TAPPING SCREW 5X40	4	PC.
078			326402-5	BUSH 6	4	PC.
079			234189-4	COMPRESSION SPRING 12	1	PC.
080			266651-1	TORX (HEXLOBULAR) TAPPING SCREW 5.5X16	2	PC.
081			234189-4	COMPRESSION SPRING 12	1	PC.
082			266651-1	TORX (HEXLOBULAR) TAPPING SCREW 5.5X16	2	PC.
083			266651-1	TORX (HEXLOBULAR) TAPPING SCREW 5.5X16	2	PC.
084			168504-9	VENT VALVE	1	PC.
086			326210-4	TERMINAL SPRING	1	PC.
087			444042-8	ISOLATING TUBE 6-80	1	PC.
088			424522-0	PLUG CAP	1	PC.
090			452670-5	ISOLATING WASHER	2	PC.
091			126270-4	IGNITION COIL ASSEMBLY	1	PC.
		INC.		Item No. 86-88		
092			266631-7	TORX (HEXLOBULAR) SOCKET HEAD BOLT M5X20	2	PC.
093			168601-1	CABLE HARNESS	1	PC.
094			266651-1	TORX (HEXLOBULAR) TAPPING SCREW 5.5X16	3	PC.
095			804V48-4	MODEL NO. LABEL EA3501S	1	PC.
096B			161327-4	* STARTER COMPLETE ORANGE	1	PC.
		INC.		Item No. 97-99,101-105,152		
097			453783-5	STARTER GRIP	1	PC.
098			267847-7	SQUARE WASHER 4	1	PC.
101	1		453785-1	* REEL	1	PC.
	2		455919-2	* REEL	1	PC.
102			234253-1	TORSION SPRING 20	1	PC.
103			453786-9	CAM PLATE	1	PC.
104			266777-9	TAPPING SCREW 5X12	1	PC.
105			452026-2	AIR GUIDE PLATE	1	PC.
106			264053-5	HEX NUT M8X1	1	PC.
107			267822-3	SPRING WASHER 8	1	PC.
108			140480-9	FLYWHEEL COMPLETE	1	PC.
		INC.		Item No. 109		
109			195761-6	RATCHET SET	2	PC.
110			452032-7	HAND GUARD	1	PC.
111			802C39-5	CAUTION LABEL	1	PC.
112			266651-1	TORX (HEXLOBULAR) TAPPING SCREW 5.5X16	1	PC.
113			253715-0	FLAT WASHER 6	1	PC.
114			313212-9	HAND GUARD GUIDE	1	PC.
115			234210-9	COMPRESSION SPRING 3	1	PC.
116			231868-5	TENSION SPRING 10	1	PC.
117			163500-2	LINK PLATE COMPLETE	1	PC.
118			325947-0	BUSH 6	2	PC.
119			346299-6	SPACER SHEET METAL	1	PC.
120			961011-9	STOP RING E-4	1	PC.
121	1		452033-5	* BRAKE COVER	1	PC.
	2		458425-6	* BRAKE COVER	1	PC.
122			266421-8	TAPPING SCREW 3X10	2	PC.
123			452035-1	PUMP DRIVE	1	PC.
124			168645-1	OIL SUCTION LINE COMPLETE	1	PC.
		INC.		Item No. 125,126		
125			234207-8	COMPRESSION SPRING 6	1	PC.
126			452666-6	NIPPLE	1	PC.
127			424342-2	OIL PRESSURE LINE	1	PC.
128			161346-0	OIL PUMP COMPLETE	1	PC.
130			266605-8	TORX (HEXLOBULAR) SOCKET HEAD BOLT M5X16	1	PC.

Item No	Type	Sub	Parts No.	Description	Qty	Unit
131			267430-0	FLAT WASHER 10	1	PC.
132			267431-8	FLAT WASHER 10	1	PC.
133			168607-9	CLUTCH COMPLETE	1	PC.
		INC.		Item No. 134		
134			231873-2	TENSION SPRING 5	2	PC.
135	2		140A30-6	CLUTCH DRUM ASSEMBLY	1	PC.
	3		140M30-8	CLUTCH DRUM COMPLETE	1	PC.
136			267833-8	FLAT WASHER 8	1	PC.
137			259033-4	RETAINING RING E TYPE 6	1	PC.
138	1		346298-8	* BRAKE BAND	1	PC.
	2		347363-6	* BRAKE BAND	1	PC.
139B			143946-8	ENGINE HOUSING COMPLETE ORANGE	1	PC.
148			346518-0	GUIDE PLATE	1	PC.
152			195955-3	REWIND SPRING SET	1	PC.
153			266960-8	TORX (HEXLOBULAR) SOCKET HEAD BOLT M5X20	4	PC.
154			266880-6	H.L. SOCKET HEAD BOLT M5X25	3	PC.
155			346760-3	CYLINDER BASE GASKET	1	PC.
156			346761-1	CRANKCASE GASKET	1	PC.
157			951063-8	SPRING PIN 3-16	2	PC.
158			424618-7	PLUG	1	PC.
159			424631-5	SLEEVE	1	PC.
161B			142782-9	SPROCKET GUARD COMPLETE ORANGE	1	PC.
		INC.		Item No. 162-177		
162			266007-8	TAP SCREW BIND P-TYPE 3X10	2	PC.
163			346309-9	GUIDE PLATE	1	PC.
164			417403-5	COVER	1	PC.
165			324068-5	ADJUST PIN	1	PC.
166			226534-7	HELICAL GEAR 8	1	PC.
167			226681-4	HELICAL GEAR 17	1	PC.
168			233033-2	COMPRESSION SPRING 4	1	PC.
169			216008-6	STEEL BALL 4	1	PC.
170			419233-0	DIAL 40	1	PC.
171			253874-0	FLAT WASHER 4	1	PC.
172			915106-0	BINDING HEAD SCREW M4X8	1	PC.
173			267858-2	LOCK WASHER 8	1	PC.
174			264099-1	HEX NUT M8-13	1	PC.
175			231025-5	COMPRESSION SPRING 8	1	PC.
176			195764-0	WING GRIP SET	1	PC.
177			892502-8	INDICATION LABEL	1	PC.

ACCESSORIES

- See catalogue or visit www.makita.ca for more accessories information -

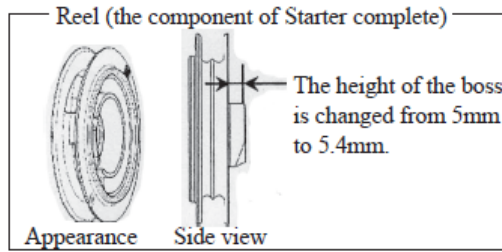
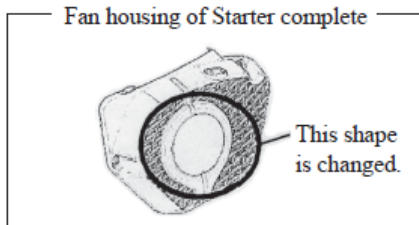
A01			165202-6	16" SPROCKET GUIDE BAR 3/8" GAUGE	1	PC.
A02			419560-5	CHAIN COVER 16-18" (430MM)	1	PC.
	Opt		952 010 640	CHAIN COVER 16"	1	PC.
A03	1		196444-1	3/8" LOW KICKBACK SAFETY CHAIN 50G 16"	1	PC.
	2		196208-3	3/8" CHAIN 50G 16"	1	PC.
A04			782026-1	UNIVERSAL WRENCH 13-16MM	1	PC.
A05			783012-5	SCREWDRIVER	1	PC.
A06			346301-5	SPIKE BAR	1	PC.
A07			0650109950	SPARK PLUG CMR6A	1	PC.
A08			444038-9	STARTER ROPE	1	PC.

SERVICE CHANGES

1. Change on Clutch Drum Assy

(TI#A6201)

Item No.	Description	Type 1	Type 2
96B	Starter Complete	---	161327-4 (Inc. #455919-2)
101	Reel	453785-1	455919-2



2. Changes on Cylinder Piston Set

(TI# B9729)

Item No.	Description	Type 1	Type 2
121	Brake Cover	452033-5	458425-6
138	Brake Band	346298-8	347363-6

Above parts are interchangeable as a set